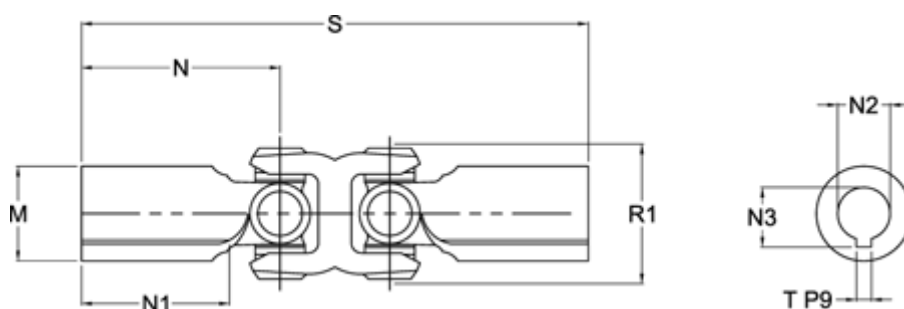


Article number: 07110303001

Description: Universal joint double 0.110.303.001
S=248 X= Bore 40 H7 with keyway

Measures



M	= 62	T = 12 P9
Max. Bending Angle degrees	= 18	
N	= 90	
N1	= 58	
N2	= 40 H7	
N3	= 43,3 +0,2	
R1	= 98	
S min	= 248	